



Purlins

Purlins

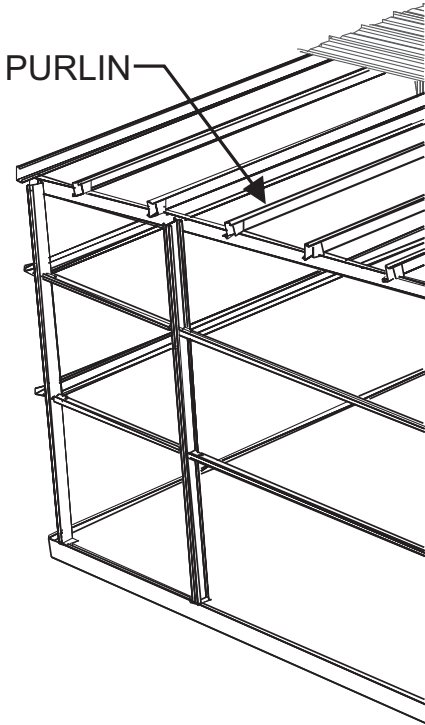
Girts

Long Bay®

Secondary Structures

Eave Struts

Base Angles



PRODUCT DESCRIPTION

A horizontal structural member which supports roof covering and is in the shape of a Zee.

- Gauge:** 16,14,13,12
- Depth:** 6", 8", 10", & 12"
- Finish:** Red Oxide Primer & pre-galvanized
- Fasteners:** Bolts
- Lengths:** Determined by design.
- Usage:** Secondary member to support roof panels.
- Limitations:** Designed to meet specific load criteria.

Dimension	
Depth	Gauges
6"	16,14,12
8"	16,14,13,12
10"	14,13,12
12"	14,13,12

Feature

Purlin 1/2" variance in flange width & 50 degree angled stiffener lip.

Nominal purlin spacing of 5'.

50+ combinations of size, gauge, spacing and lap length.

Continuous purlin lap lengths of 7 1/2", 1' 2 3/4", 2' 5 3/4", 3' 8 3/4" .

Pre-painted, factory baked red oxide finish.

Purlin clips welded to frame.

Optional gray or pre-galvanized finish.

Tabbed sag angles are used with standing seam options/ systems.

Easy purlin identification.

Members of LGSI.

With a wider width and higher gauge zee-purlin, we can go to longer bays, up to 40'.

Benefit

Allows easy placement of purlins and easy installation and greater stability.

Economical design.

Optimum design.

Economical pricing.

Smooth, attractive appearance, improved adherence & durability. Therefore, no paint sticking problems.

Rest point during installation, quicker installation, reduces purlin roll under heavy loading & increases stiffness.

Meets specifications, greater resistance to some corrosive atmospheres.

Reduces purlin roll, increases stiffness, ease of installation, greater stability, and increased load capacity.

Ease of installation.

Meets specifications.

Longer bay buildings can be furnished with the advantages of a cold-formed zee-purlin.

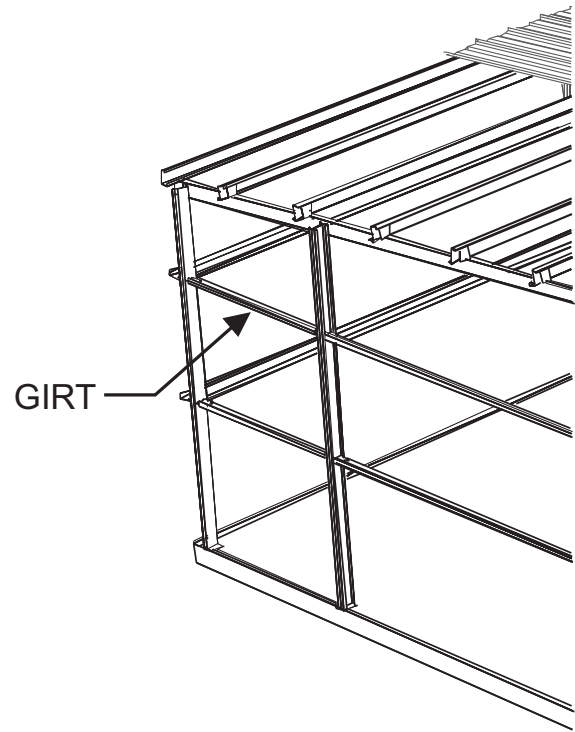
- Purlins
- Girts
- Long Bay®
- Secondary Structures
- Eave Struts
- Base Angles

Girts

PRODUCT DESCRIPTION

A horizontal structural member that supports wall panels.

- Gauge:** 16, 14, 13, 12
- Depth:** 4", 6", 8", 10", & 12"
- Finish:** Red Oxide Primer & pre-galvanized.
- Fasteners:** Bolts
- Lengths:** Determined by design.
- Usage:** Secondary member to attach and support wall covering.
- Limitations:** Designed to meet specific load criteria.



Dimension	
Depth	Gauges
4"	16,14,12
6"	16,14,12
8"	16,14,13,12
10"	14,13,12
12"	14,13,12

Feature

- Girt clips welded to frame.
- Flush girts with girt face in the same plane as column face.
- Combinations of size, gauge & spacing.
- Standard girt spacing, first girt at 7'-4" and maximum of 6' there after. Other spacing available for design.
- Pre-painted, factory baked red oxide finish.
- Bypass Girts.
- Low girt option available on request at 3' 6".

Benefit

- Quicker installation.
- Greater interior clearance, easier interior finish.
- Optimum design and economical pricing.
- Fits doors, etc., optimal design.
- Smooth, attractive appearance, improved adherence & durability.
- More efficient design.
- Stiffening of the wall section, and satisfying high wind conditions.



Long Bay® Secondary Structures

- Purlins
- Girts
- Long Bay®
Secondary Structures
- Eave Struts
- Base Angles



PRODUCT DESCRIPTION

A horizontal structural member which supports roof systems with virtual square shaped top and bottom chords.

- Gauge:** 16, 14, 13, 12
- Depth:** 12" - 44"
- Finish:** Dark Gray Primer
- Fasteners:** A307 or A325 Bolts per design
- Lengths:** Up to 65'
- Usage:** Secondary member to support roof systems
- Limitations:** Designed to meet specific load criteria

Feature

- Bay spacing from 40' to 65'.
- Bolts to main frame.
- Design flexibility.
- Stiffer than bar joist.
- Lighter than bar joist.
- Available with Double-Lok® standing seam roof.
- Available with "B" Deck for single-ply, built-up, EPDM roof.
- Open-web purlin fabricated of light-gauge cold-rolled steel.
- Less bridging and bridging attaches with self-drilling screws.
- 4" top chord width.
- 5" seat depth.

Benefit

- Opens long bay markets.
- Faster, more precise installation.
- Usable with tilt wall.
- No warp or sweep, easier to erect.
- Easy to handle, maneuver, & set.
- 30-year roof life-cycle, 25-year factory warranties available.
- Design flexibility for conventional applications.
- Roofing systems attached with self-drilling screws.
- Quicker installation.
- Stable platform for attachment of deck or clips.
- Can mix bays with standard "Z" purlins.



- Purlins
- Girts
- Long Bay®
- Secondary Structures
- Eave Struts**
- Base Angles

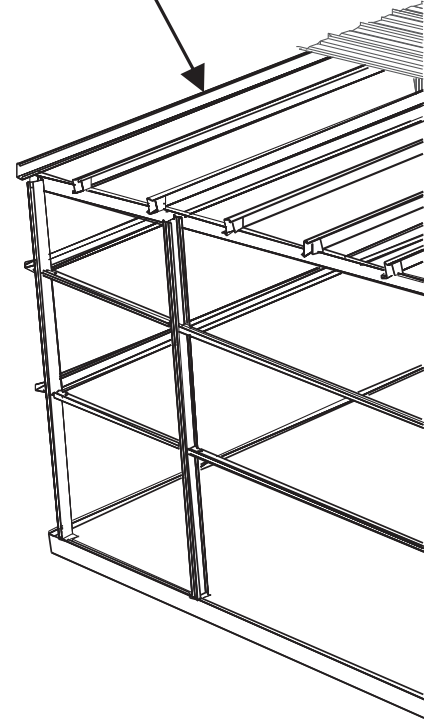
Eave Struts

PRODUCT DESCRIPTION

A structural member located at the eave of a building which supports roof and wall paneling.

- Gauge:** 16, 14, 13, & 12
- Depth:** 8", 10", & 12"
- Finish:** Red Oxide Primer & optional gray or pre-galvanized material available
- Lengths:** Matches bay length

EAVE STRUT



Dimension	
Depth	Gauges
8"	16,14,13,12
10"	14,13,12
12"	14,13,12

Feature

- Heavy design, larger section.
- Custom fabrication for each roof slope.
- One piece construction.
- Can be extended lengths for endwall canopies.

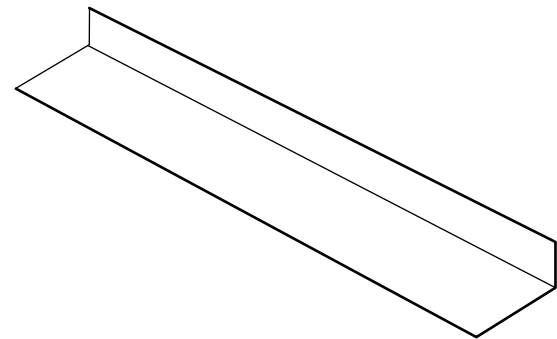
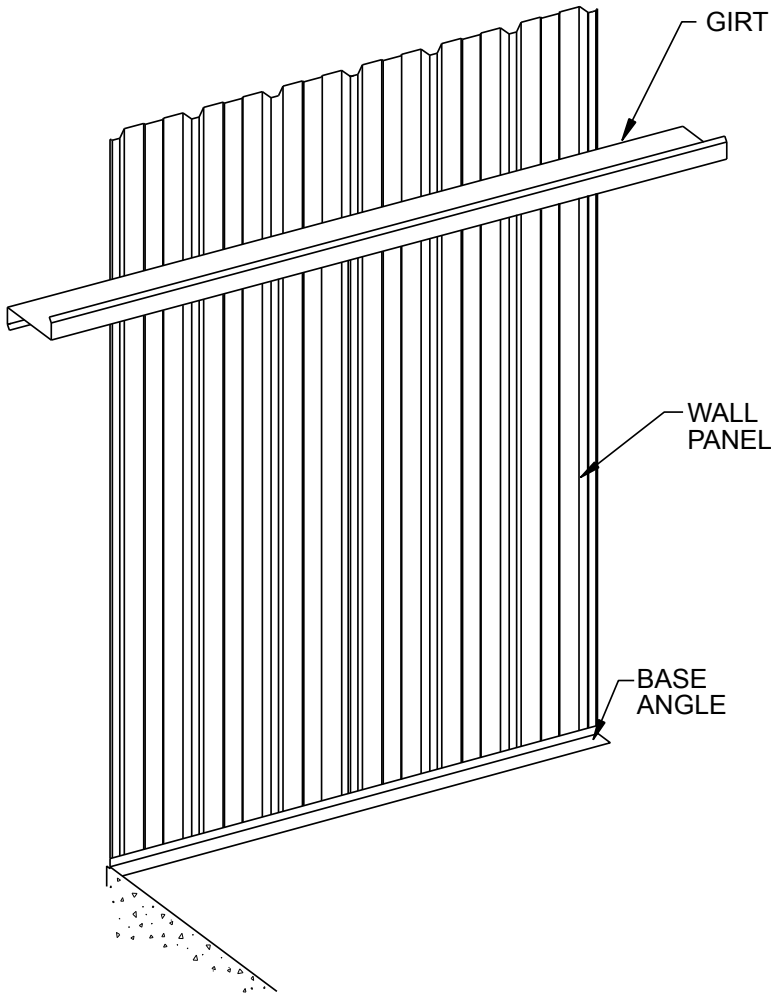
Benefit

- Straighter and stronger walls and eaves.
- Provides greater support for roof panel at eave.
- Minimized field labor.
- Flexible design.



Base Angles

- Purlins
- Girts
- Long Bay®
- Secondary Structures
- Eave Struts
- Base Angles



PRODUCT DESCRIPTION

A member formed from steel sheet in the shape of a right angle used for sheeting supports.

Finish: Red Oxide Primer & optional pre-galvanized material available

Dimension	
Depth	Gauges
2"	14
4"	16,14,12

Feature

Largest variety of angle sizes in the industry

Benefit

Design flexibility.